



Uniclass L41302:P7114	EPIC D1312:X725
CI/SfB (31.42)	Xn6

September 2004

70mm DIAMOND SUITE WITH RIG INTERNALLY GLAZED WINDOW FEATURED

Re-create the traditional look of timber windows, with Duraflex Diamond Featured Suite. As an integrated 70mm system, it not only looks good, but due to the seamless sightlines, it is easy to install particularly in refurbishment projects. Security is not compromised, hardware can be specified according to the needs of each individual project. Complying with BS 7950 and BS 7413 this window is cost effective, secure and easy to install with a great deal of 'kerb side appeal'.

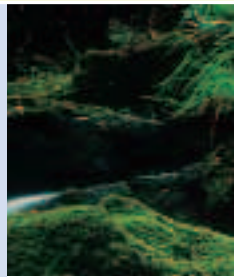
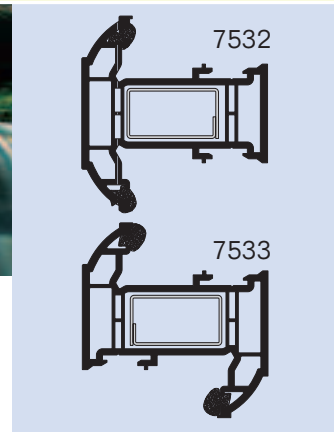
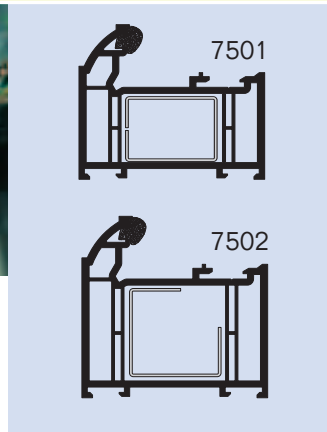


the natural choice

specification

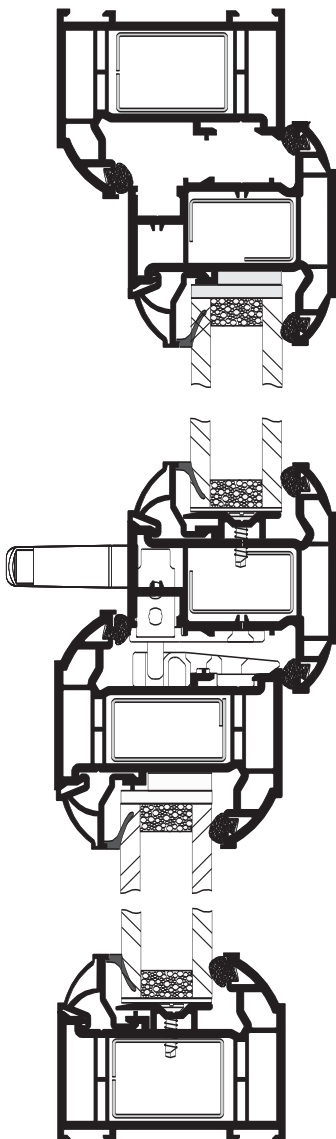
- Profile:
 - 70mm Diamond Suite Internally Glazed Window Featured [RIG]
- Colours:
 - White, Mahogany, Golden Oak, Mahogany on White, Golden Oak on White

- Profiles used:
 - 7501 Intermediate Outerframe
 - 7502 Large Outerframe
 - 7532 'T' Transom/Mullion
 - 7533 'Z' Transom/Mullion
 - 6560 Internally beaded sash
 - 5850 Bead



Featured outerframes

Featured 'T' and 'Z' transom/mullions



Featured internally glazed window general assembly

- Totally integrated 70mm system.
- Full depth Euro Groove that is compatible with most types of hardware.
- Comprehensive system incorporates feature detail on all outerframes, transoms and sashes.
- Featured bead incorporates lowline gasket.
- Lowline gasket as standard.
- Complete compatibility with hinges, handles and hardware from the 65mm Diamond Suite.
- Full range of aluminum and steel reinforcement.
- Conforms to BS 7950 security standard.
- Complimented by a full range of ancillary products.
- Full range of co-ex bead styles capable of glazing 24mm and 28mm units.
- Common sightlines for both 70mm and 65mm systems.
- Internal and external glazing options available.
- Dedicated reinforcement sections available for maximum strength.
- Rolled-in Gasket [RIG].



DURAFLEX
THE NATURAL CHOICE IN PVCu

Severn Drive Tewkesbury Business Park Tewkesbury Gloucestershire GL20 8TX
Tel: 08705 351 351 www.duraflex.co.uk