

Uniclass L41303:P7114	EPIC D1313:X725
CI/SfB (31.42)	Xn6

August 2000



DIAMOND SUITE 65mm and 70mm MOCK HORN WINDOW [BEVELLED & FEATURED]

The addition of a Mock Horn detail to a casement window will recreate the look of a traditional box sash, but with modern weather performance. Security is not compromised for good looks; the Mock Horn window can be fitted with either Espagnolette or Shootbolt locking options.

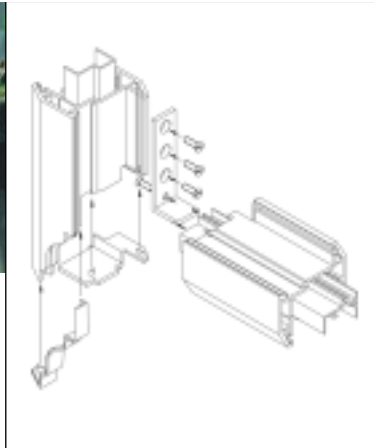


the natural choice

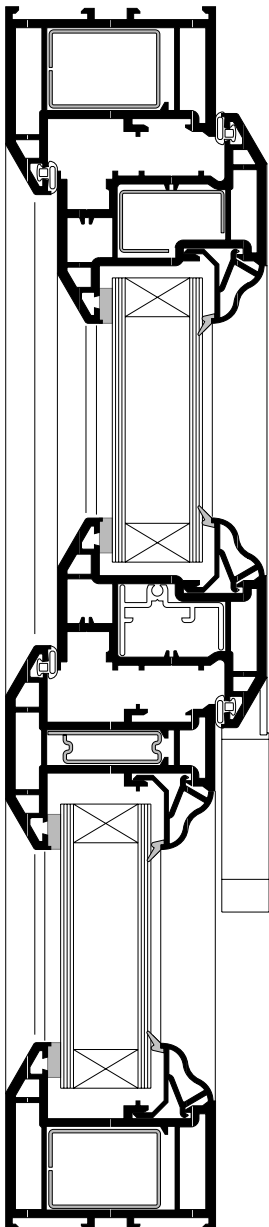
specification

- Profile:
 - Diamond Suite Mock Horn
- Colours:
 - White, Mahogany, Golden Oak

- Mock Horn kit part numbers:
 - MH3095W White
 - MH3095BM Mahogany
 - MH3095GO Golden Oak
 - 3090 Mock Horn Reinforcement



Mock Horn Assembly



Cross Section through the Mock Horn

- Both espag and shootbolt locking systems can be fitted.
- Standard shootbolt can be fitted without any additional machinery.
- Fully prepared kit includes;
 - Machined sash member.
 - Injection moulded cover.
 - All associated fixing brackets and screws.
- Dedicated reinforcement available in bar length for mechanical jointed bottom rail.
- Fully featured Mock Horn.
- Aesthetically pleasing joints.



DURAFLEX
MAKING THE DIFFERENCE

Customer Centre Central Way Arle Road Cheltenham Gloucestershire GL51 8LX
Tel: 08705 351 351 www.duraflex.co.uk